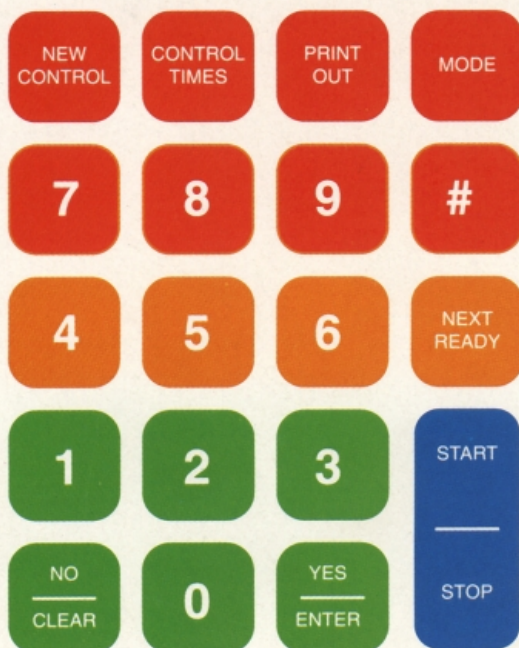




# RALLYTIME II

## NEW GENERATION RALLY CLOCK



An advanced handheld digital clock designed by rallyists for timing and information storage.

User-friendly selection of start, with countdown lights, flying finish with split time, stop or time controls.

Serial output for printing of car numbers and times or computer scoring.

Options include carrying case, starting lights, tripod, remote stop/start, serial cables and mains adapter.

# RALLYTIME II

## Specifications

|                       |   |
|-----------------------|---|
| <b>Display</b>        | 2 x 16 character backlit LCD                                  |
| <b>Microprocessor</b> | Hitachi HD 64180R1  |
| <b>RAM</b>            | 256K battery-backed   |
| <b>EPROM</b>          | 32K   |
| <b>Timebase</b>       | Quartz < 1 sec/day battery-backed                             |
| <b>Resolution</b>     | 1 second  |
| <b>Battery</b>        | Lithium 5-year  |
| <b>Supply</b>         | 12V DC reverse polarity protected                             |
| <b>Fusing</b>         | Electronics 500 mA slow blow<br>Lamp — as required external   |
| <b>Lamp Output</b>    | 3 x relay Max. 12 V at 1 A                                    |
| <b>Remote Input</b>   | Potential free contact N/O                                    |
| <b>Serial Output</b>  | RS 232, 8 data bits, 1 stop bit<br>Parity off, baud rate 9600 |
| <b>Housing</b>        | ABS 100 x 40 195 mm   |



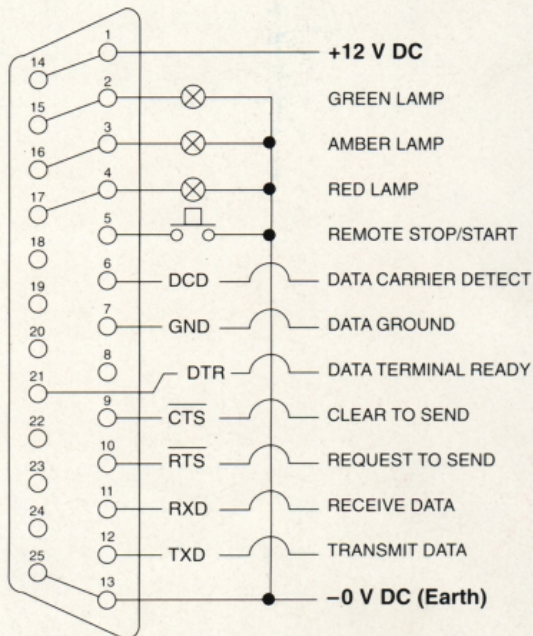
## Software

|                    |   |
|--------------------|---|
|                    | © COPYRIGHT 1992  |
| <b>New Control</b> | SELECT: Marshall number 1-99<br>Control number 1-99<br>Control type:-<br>"Start Control" with<br>countdown and lamps<br>"Flying Finish" with split time<br>"Stop Control" with split time<br>"Time Control" with split time |
|                    | NOTE: Memory capacity max. 4 controls with max. 250 cars in each, only car numbers 1-250 accepted   |

|                      |  |
|----------------------|--|
| <b>Control times</b> | Recall and display any control, car number, and time                                   |
| <b>Printout</b>      | Present memory information to RS.232 port for automatic printout or computer interface |
| <b>Mode</b>          | Selects "Clear Memory" or "Set Time". Password required                                |

## Connections

25-way D-type female  
(cable side)



P O Box 418, Honeydew 2040 South Africa  
21 Precision Street, Kyasand Randburg.  
Telephone: +27 11 462-1920  
Telefax: +27 11 462-1958  
email: info@instrotech.co.za  
web: www.instrotech.co.za

RALLYTIME, P.O. BOX 418, HONEYDEW 2040, S. AFRICA.  
TEL. 27-11-462-1920 FAX 27-11- 462-1958